

# SOT279A

CDFM4; blister pack; standard product orientation 12NC  
ending 112

Rev. 2 — 1 September 2015

**AMPLEON**  
Packing information

## 1. Packing method

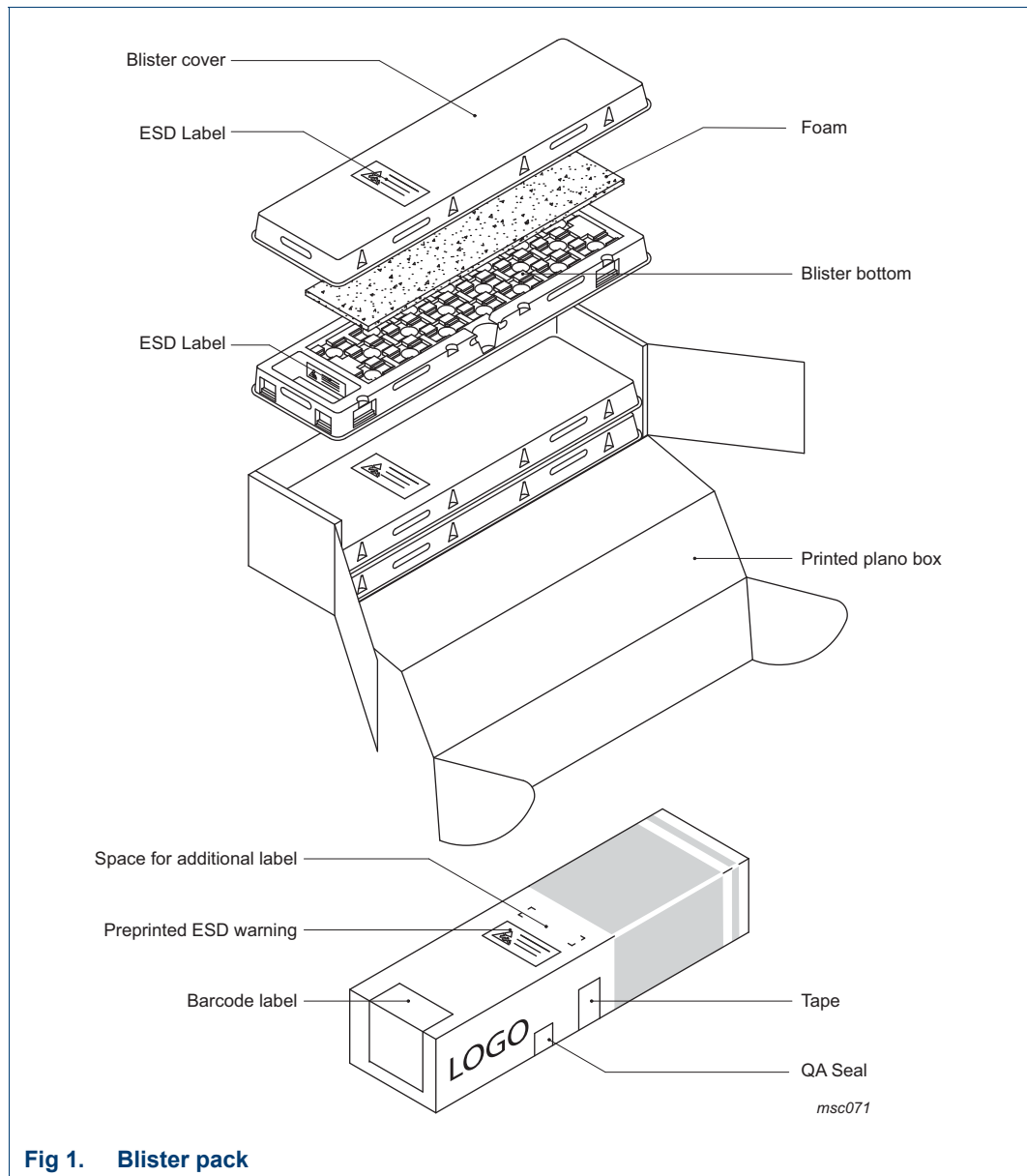


Table 1. Packing information

Package version	12NC ending	SPQ per carrier	PQ (pcs)	Carriers per box	Outer box dimensions l x w x h (mm)
SOT279A	112	20	40	2	315 x 118 x 78