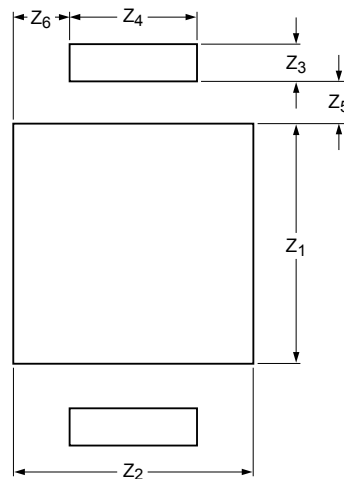
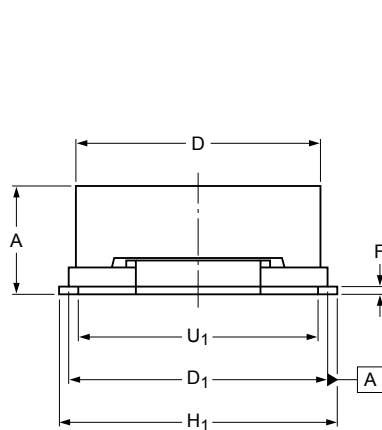
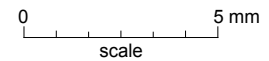
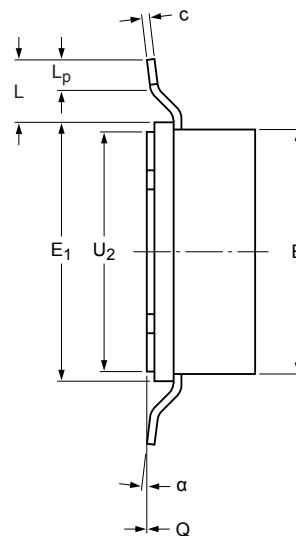
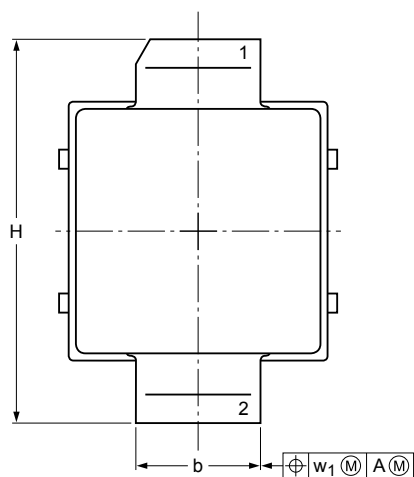


## Earless flanged ceramic package; 2 leads

SOT975C



minimal dimensions for solder pattern



Z <sub>4</sub>	Z <sub>5</sub>	Z <sub>6</sub>	α
			7°
3.30	1.14	1.52	0°
			7°
0.130	0.045	0.060	0°

Dimensions (mm dimensions are derived from the original inch dimensions)

Unit	A	b	c	D	D <sub>1</sub>	E	E <sub>1</sub>	F	H	H <sub>1</sub>	L	L <sub>p</sub>	Q	U <sub>1</sub>	U <sub>2</sub>	w <sub>1</sub>	Z <sub>1</sub>	Z <sub>2</sub>	Z <sub>3</sub>	
mm	max	3.15	3.38	0.23	6.55	6.93	6.55	6.93	0.23	10.29	7.49									
	nom										1.65	1.02	+0.05	6.43	6.43					
	min	2.59	3.23	0.18	6.40	6.78	6.40	6.78	0.18	10.03	6.73	0.51	-0.05	6.27	6.27	0.51	6.35	6.35	1.02	
inches	max	0.124	0.133	0.009	0.258	0.273	0.258	0.273	0.009	0.405	0.295									
	nom										0.065	0.040	+0.002	0.253	0.253					
	min	0.102	0.127	0.007	0.252	0.267	0.252	0.267	0.007	0.395	0.265	0.020	-0.002	0.247	0.247	0.020	0.250	0.250	0.040	

sot975c\_po

Outline version	References			European projection	Issue date
	IEC	JEDEC	JEITA		
SOT975C					-08-07-10- 14-10-13