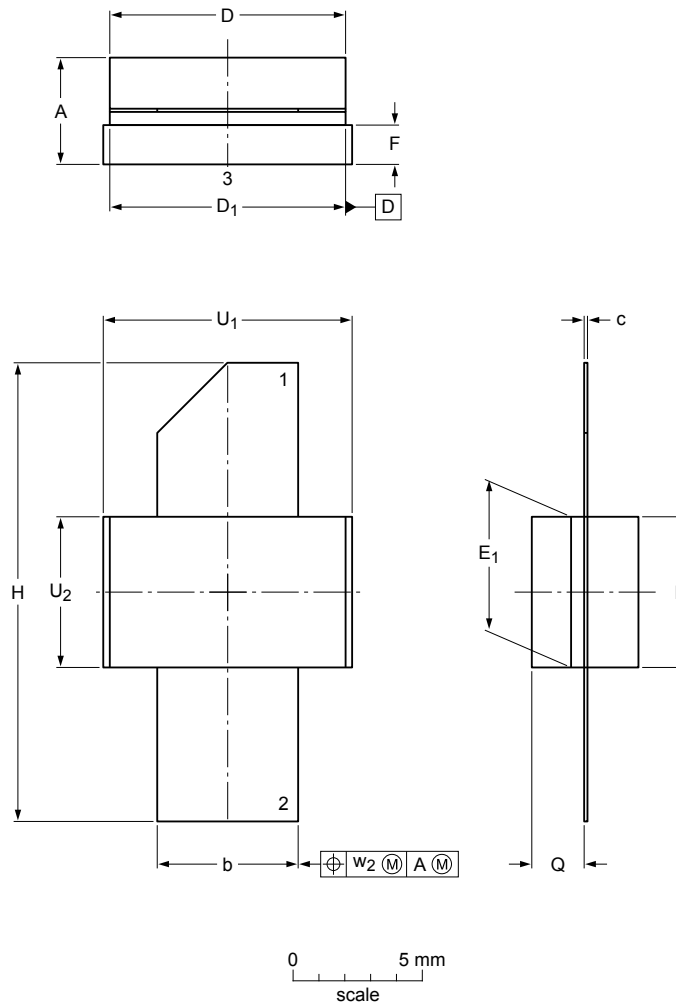


Earless ceramic package; 2 leads

SOT467B



Dimensions

Unit ⁽¹⁾	A	b	c	D	D ₁	E	E ₁	F	H	Q	U ₁	U ₂	w ₂
mm	max	4.67	5.59	0.15	9.25	9.27	5.92	5.97	1.65	18.29	2.21	9.78	5.97
	nom												0.25
	min	3.94	5.33	0.10	9.04	9.02	5.77	5.72	1.40	17.27	1.96	9.53	5.72
inches	max	0.184	0.22	0.006	0.364	0.365	0.233	0.235	0.065	0.72	0.087	0.385	0.235
	nom												0.01
	min	0.155	0.21	0.004	0.356	0.355	0.227	0.225	0.055	0.68	0.077	0.375	0.225

Note

1. millimeter dimensions are derived from the original inch dimensions.

sot467b_po

Outline version	References			European projection	Issue date
	IEC	JEDEC	JEITA		
SOT467B					11-08-18 12-05-01