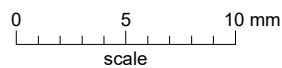
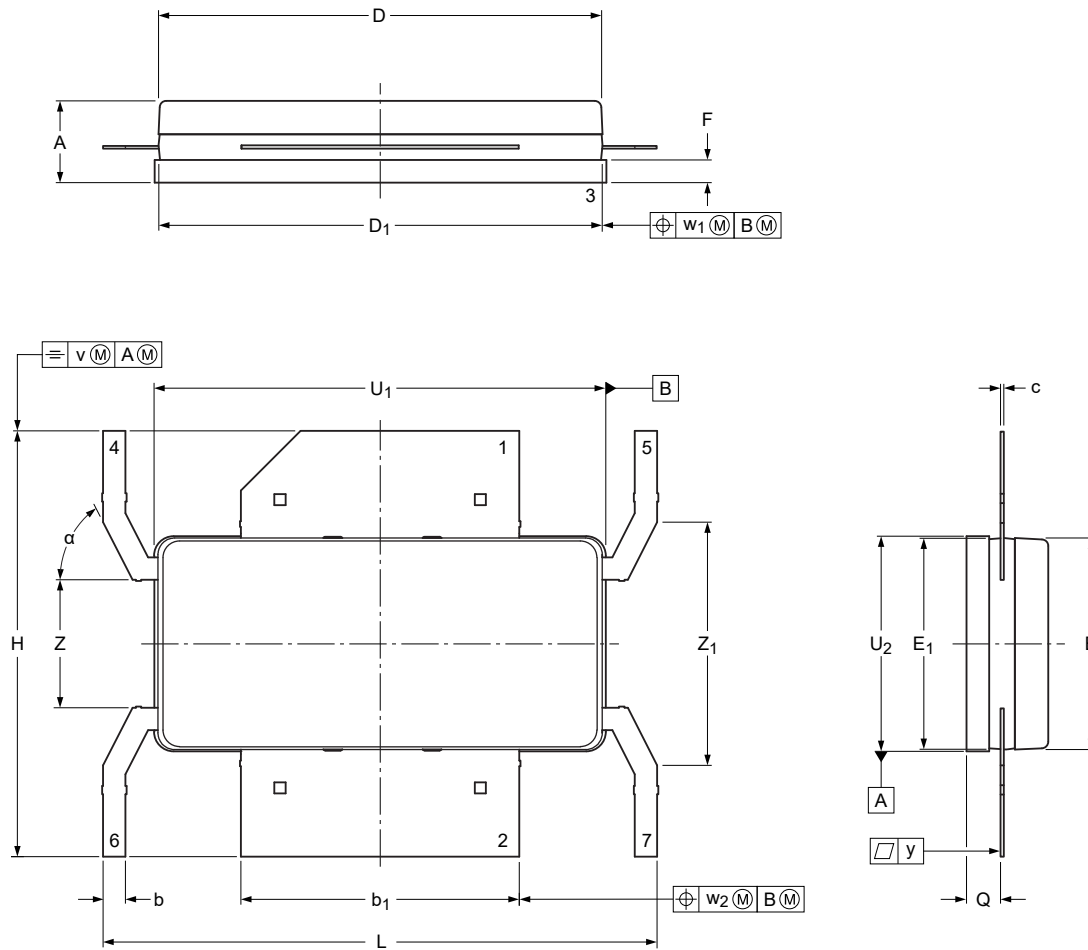


Air cavity plastic earless flanged package; 6 leads

SOT1271-2



Z ₁	α
11.19	65°
10.99	61°

Dimensions

Unit	A	b	b ₁	c	D	D ₁	E	E ₁	F	H	L	Q ⁽¹⁾	U ₁	U ₂	v	w ₁	w ₂	y	Z
max	4.01	1.14	12.80	0.18	20.42	20.37	9.80	9.75	1.14	19.53	25.40	1.68	20.70	9.91	0.50	0.50	0.50	0.10	5.94
nom																			
min	3.40	0.89	12.60	0.13	20.12	20.17	9.50	9.55	0.94	19.33	25.20	1.45	20.50	9.70					5.74

Note:

1. Dimension Q is measured at 0.1 mm away from the flange.
2. Ringframe and/or ringframe glue shall not overhang at the side of the flange.

sot1271-2_po

Outline version	References				European projection	Issue date
	IEC	JEDEC	JEITA			
SOT1271-2						17-04-13