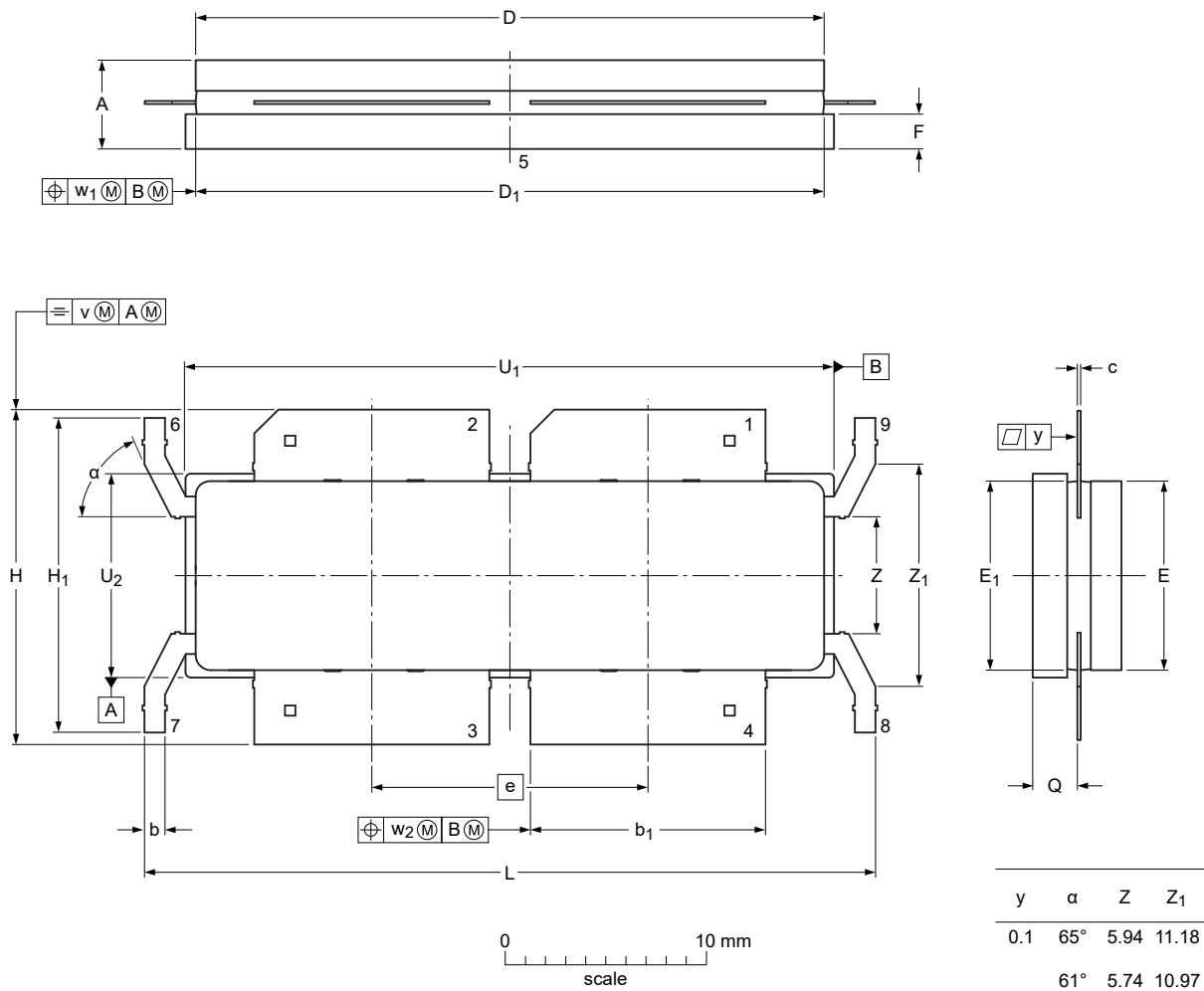


Air cavity plastic earless flanged package; 8 leads

SOT1251-1



Dimensions

Unit	A	b	b ₁	c	D	D ₁	E	E ₁	e	L	F	H	H ₁	Q ⁽¹⁾	U ₁	U ₂	v	w ₁	w ₂
max	4.65	1.12	11.78	0.2	31.44	31.34	9.60	9.50		36.42	1.83	16.71	15.85	2.33	32.33	10.23	0.5	0.5	0.5
nom									13.72										
min	4.18	0.91	11.58	0.1	31.04	31.14	9.20	9.30		36.22	1.63	16.51	15.65	2.13	32.13	10.03			

Note

1. Dimension Q is measured 0.1 mm away from the flange.
2. Ringframe and/or ringframe glue shall not overhang at the side of the flange.

sot1251-1_po

Outline version	References			European projection	Issue date
	IEC	JEDEC	JEITA		
SOT1251-1					14-01-31 17-08-31