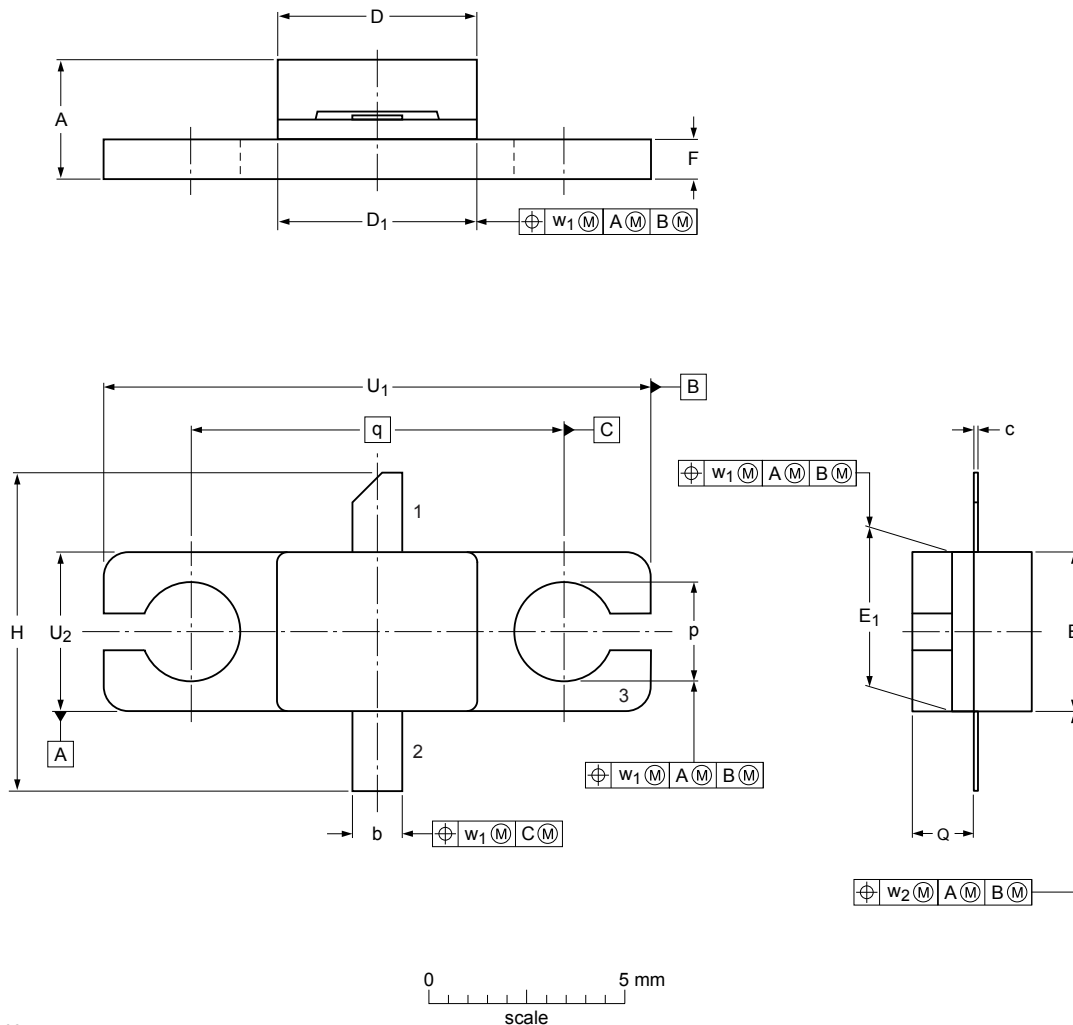


Flanged ceramic package; 2 mounting holes; 2 leads

SOT1227A



Dimensions

Unit ⁽¹⁾	A	b	c	D	D ₁	E	E ₁	F	H	p	Q	q	U ₁	U ₂	w ₁	w ₂
mm	max	3.68	1.40	0.15	5.18	5.21	4.17	4.19	1.14	8.64	2.67	1.70	14.10	4.19		
	nom											9.53			0.25	0.380
inches	max	0.145	0.055	0.006	0.204	0.205	0.164	0.165	0.045	0.340	0.105	0.067	0.555	0.165		
	nom											0.375			0.01	0.015
	min	0.112	0.045	0.003	0.196	0.195	0.156	0.155	0.035	0.300	0.095	0.057	0.545	0.155		

Note

1. Millimeter dimensions are derived from the original inch dimensions.

sot1227a_po

Outline version	References			European projection	Issue date
	IEC	JEDEC	JEITA		
SOT1227A					12-06-08 13-10-14