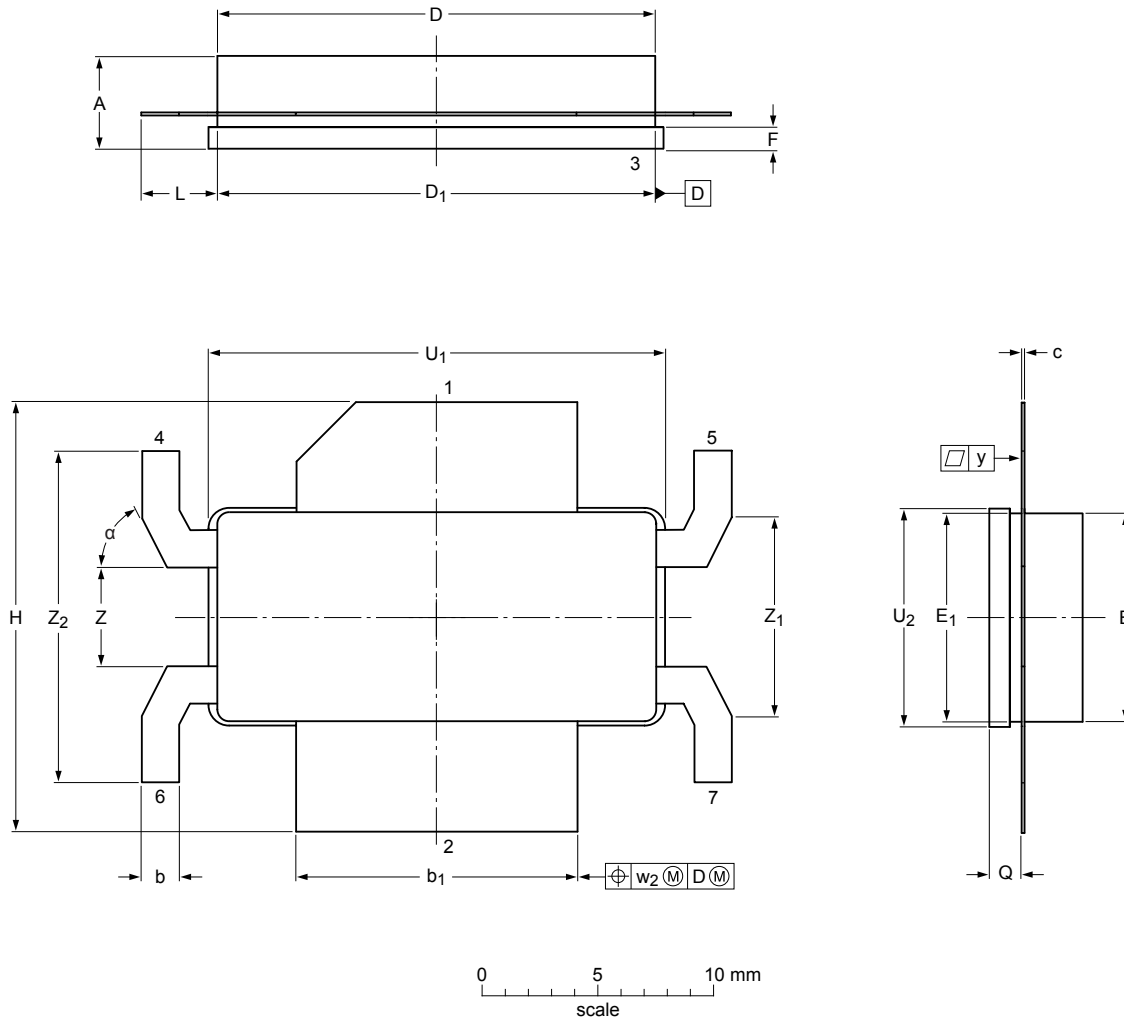


Earless flanged LDMOST ceramic package; 6 leads

SOT1120B



Dimensions

Unit ⁽¹⁾	A	b	b ₁	c	D	D ₁	E	E ₁	F	H	L	Q ⁽²⁾	U ₁	U ₂	w ₂	y	Z	Z ₁	Z ₂	α							
mm	max	4.75	1.83	12.83	0.18	20.02	19.96	9.53	9.53	1.14	19.94	3.56	1.70	20.70	9.91	0.51	0.10	4.60	9.53	15.52	64°						
	nom																										
	min	3.45	1.57	12.57	0.10	19.61	19.66	9.27	9.25	0.89	18.92	3.30	1.45	20.45	9.65									4.32	8.71	14.50	60°
inches	max	0.187	0.072	0.505	0.007	0.788	0.786	0.375	0.375	0.045	0.785	0.140	0.067	0.815	0.39	0.02	0.004	0.181	0.375	0.611	64°						
	nom																										
	min	0.136	0.062	0.495	0.004	0.772	0.774	0.365	0.364	0.035	0.745	0.130	0.057	0.805	0.38									0.170	0.343	0.571	60°

Note

1. millimeter dimensions are derived from the original inch dimensions.
2. dimension is measured 0.030 inch (0.76 mm) from the body.

sot1120b_po

Outline version	References			European projection	Issue date
	IEC	JEDEC	JEITA		
SOT1120B					12-06-14 13-10-21