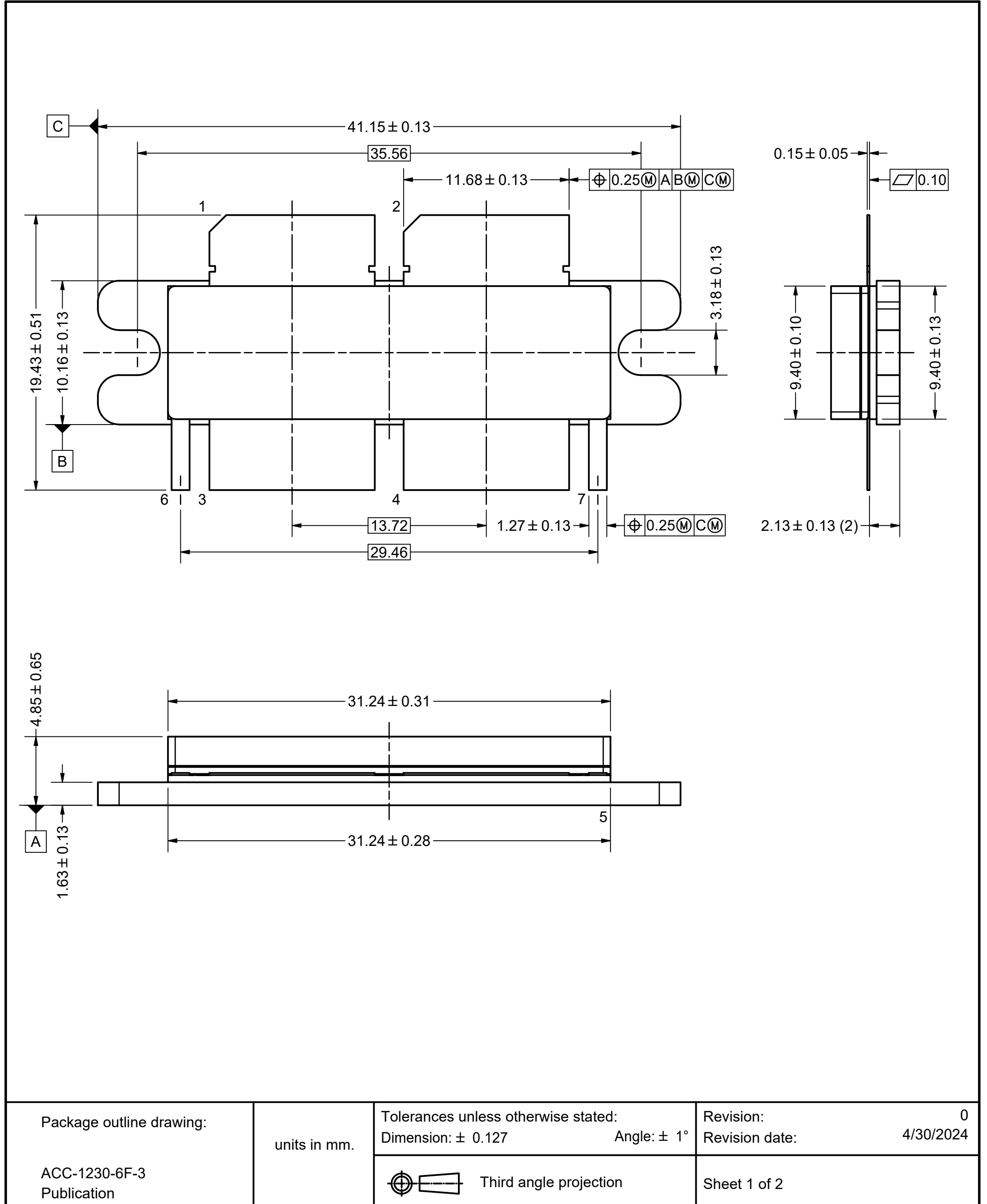


Flanged ceramic package; 2 Mounting holes; 6 leads

ACC-1230-6F-3



Package outline drawing:

units in mm.

Tolerances unless otherwise stated:

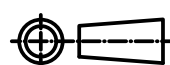
Dimension:  $\pm 0.127$

Angle:  $\pm 1^\circ$

Revision: 0

Revision date: 4/30/2024

ACC-1230-6F-3  
Publication




Third angle projection

Sheet 1 of 2

## Drawing Notes

Items	Description
(1)	Millimeter dimensions are derived from the original inch dimensions.
(2)	Dimension is measured 0.030 inch (0.76 mm) from the body.
(3)	Recommended screw pitch dimension of 1.48 inch (37.52 mm) based on M3 screw.

Package outline drawing:  ACC-1230-6F-3 Publication	units in mm.	Tolerances unless otherwise stated: Dimension: $\pm 0.127$ Angle: $\pm 1^\circ$	Revision: 0 Revision date: 4/30/2024
		 Third angle projection	Sheet 2 of 2