

Document information

Info	Content
Keywords	GaN, bias
Abstract	This application note describes a bias controller module for GaN HEMT RF power transistors. It provides constant quiescent drain current with temperature, special bias and power sequencing, and overcurrent protection.

Revision history

Rev	Date	Description
v.2	20150901	Modifications <ul style="list-style-type: none">• The format of this document has been redesigned to comply with the new identity guidelines of Ampleon.• Legal texts have been adapted to the new company name where appropriate.
v.1	20111208	Initial version

Contact information

For more information, please visit: <http://www.ampleon.com>

For sales office addresses, please visit: <http://www.ampleon.com/sales>

1. Introduction

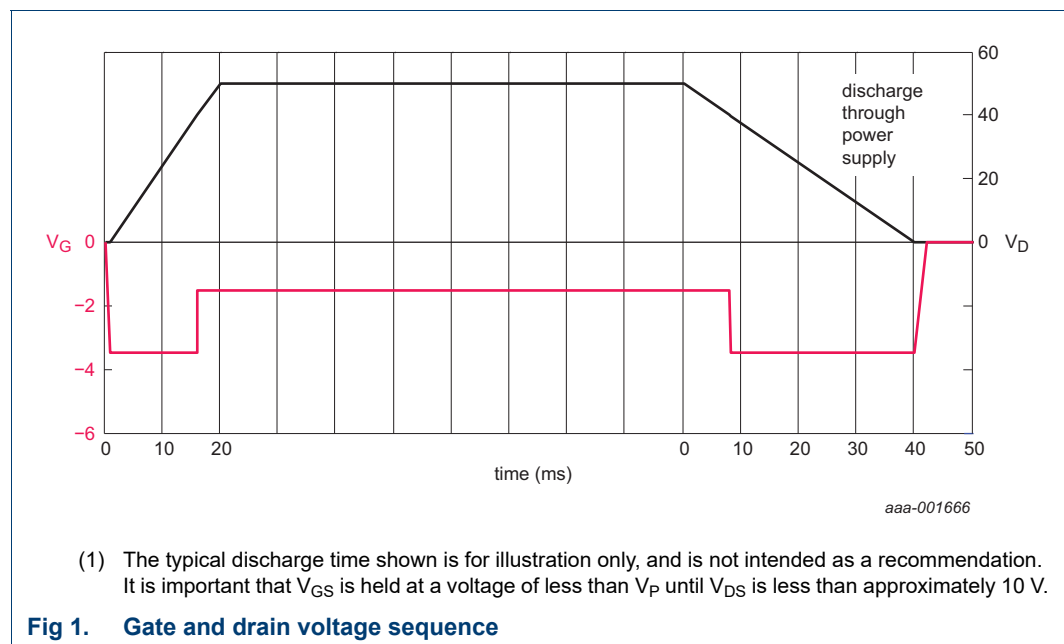
GaN HEMT RF power transistors require temperature-compensated gate bias voltages, similar to LDMOS devices, to maintain constant quiescent drain currents with temperature. They are depletion mode devices requiring special bias and power sequencing compared to LDMOS devices. This application note describes a bias controller module which provides these functions, and overcurrent protection.

2. Bias sequencing

The most important consideration for DC with GaN HEMTs, is the bias sequencing. There are two issues to consider:

- Never apply drain voltage when the gate is at 0 V, as the device draws excessive drain current. Thus, any GaN bias controller must include sequenced drain voltage switching.
- For a given V_{GS} , GaN HEMTs are likely to be potentially unstable at lower V_{DS} . Therefore, decrease the gate voltage to below the pinch-off voltage V_P (such as -3 V) while the drain voltage is being turned on and off.

[Figure 1](#) illustrates recommended power-up and power-down sequences for the drain and gate voltages.



3. Gate current

Because the GaN HEMT gate terminal is a Schottky diode, bias generators must provide significant amounts of both positive and negative gate current:

- GaN HEMTs have higher gate leakage currents than comparable LDMOS devices. The negative gate current can be as high as 500 $\mu\text{A}/\text{mm}$ of gate periphery at elevated junction temperatures; the gate current evaluates to -5 mA for a 100 W device operating at 200 $^{\circ}\text{C}$ junction temperature.
- When the device is driven into saturation, rectified positive gate current flows into the gate diode. At heavy RF compression, this gate current can exceed 1 mA/mm of gate periphery causing a possible gate current of 30 mA for a 100 W device.

4. Temperature compensation

Similar to LDMOS devices, the gate threshold voltage for GaN devices is approximately proportional to temperature. The gate threshold voltage is the voltage required to maintain a constant quiescent drain current, which for Ampleon GaN devices, is about +1 mV/ $^{\circ}\text{C}$ junction temperature. However, practical temperature compensation circuits are obliged to monitor case temperature, where the temperature change is typically only half the junction temperature change. Thus, the bias controller must increase V_{GS} by about +2 mV/ $^{\circ}\text{C}$.

5. Summary

The characteristics of the bias controller module described in the following section are summarized in [Table 1](#).

Table 1. Summary of bias controller characteristics

Drain voltage	12 V to 80 V [1]
Gate voltage	-3 V to -1 V [1]
Gate voltage adjustment range	700 mV typical
Gate voltage temperature compensation	+2 mV/ $^{\circ}\text{C}$ typical
Gate current, negative	$\leq -10\text{ mA}$
Gate current, positive	$\geq 100\text{ mA}$
Gate voltage ripple	$\leq 2\text{ mV}$ (p-p)
Switched drain current	$\geq 40\text{ A}$ [2]

[1] Resistor values may have to be changed for part of range.

[2] Dependent upon PCB layout.

6. Circuit description

6.1 Negative voltage generation

The bias controller uses a switched-capacitor voltage inverter, U1, to generate a regulated -4 V from a single positive supply. The $+5\text{ V}$ supply is generated from the high-voltage drain supply by linear regulator U4.

U1 operates at a switching frequency of approximately 550 kHz ; C3, R4, and C10 are used to reduce output ripple to less than 2 mV (p-p).

When the output voltage is within 5% of the -4 V set value, the REG output goes LOW. The REG output LOW signal acts as an active-LOW (power valid) signal to enable drain power to the GaN device.

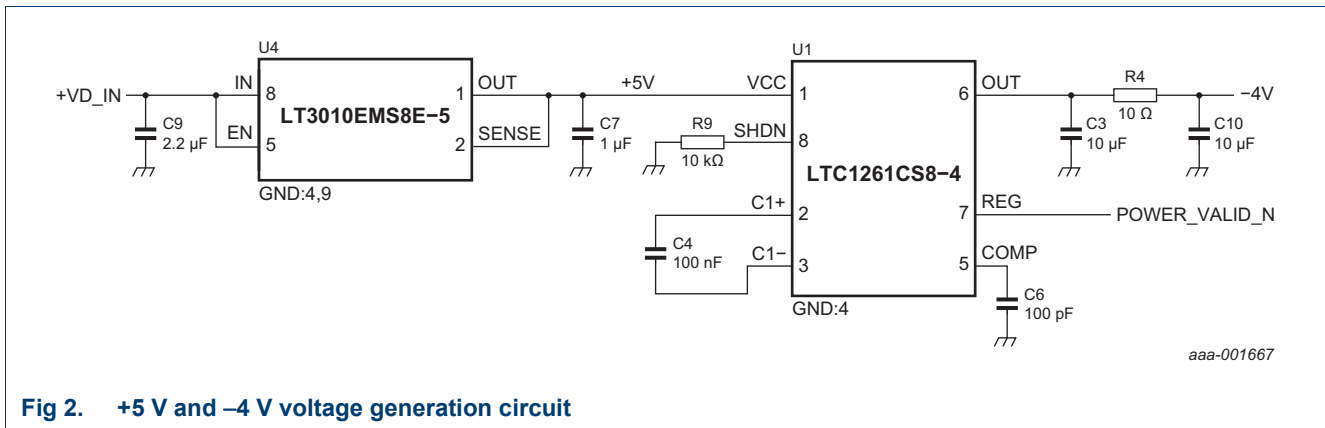


Fig 2. +5 V and -4 V voltage generation circuit

6.2 Drain voltage switching

Most lower power HEMT bias controllers use a P-channel power MOSFET as the drain voltage load switch. This has the advantage of simplicity, often requiring nothing more than level-shifting transistors between the voltage inverter ‘power valid’ signal and the MOSFET gate. However, as load currents increase above 2 A to 5 A , the required MOSFET becomes large and expensive. Consequently, this bias controller uses a common hot-swap controller IC, U2 to drive an inexpensive N-channel MOSFET.

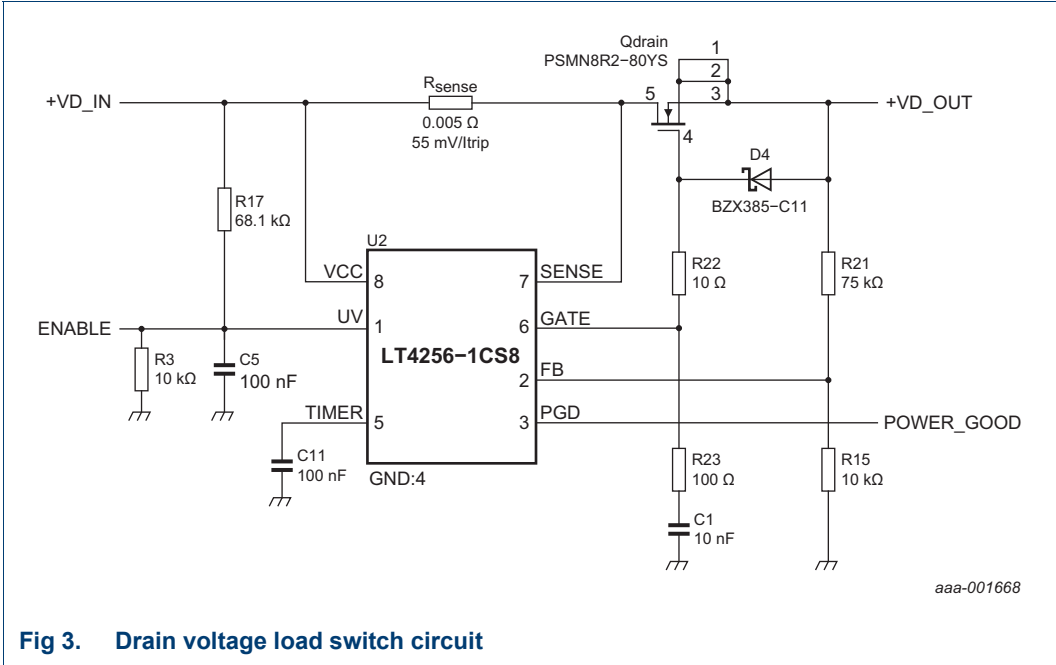


Fig 3. Drain voltage load switch circuit

U2 contains an internal charge pump for driving the gate of the external N-channel MOSFET, Qdrain. It also includes a programmable ramp-up rate, and optional overcurrent fault detection and foldback current limiting. If the voltage drop across sense resistor R_{sense} exceeds 55 mV, U2 disconnects power from the drain, and leaves it latched off until power is cycled.

Qdrain is a low-cost high-density TrenchMOS device in a small power SO8 package. It has a typical on-resistance of less than 10 mΩ and a drain current limit of more than 80 A.

6.3 Temperature compensation

The bias controller uses a small-signal PNP transistor (mounted in contact with the baseplate) to monitor temperature and generate a +8 mV/°C compensating voltage.

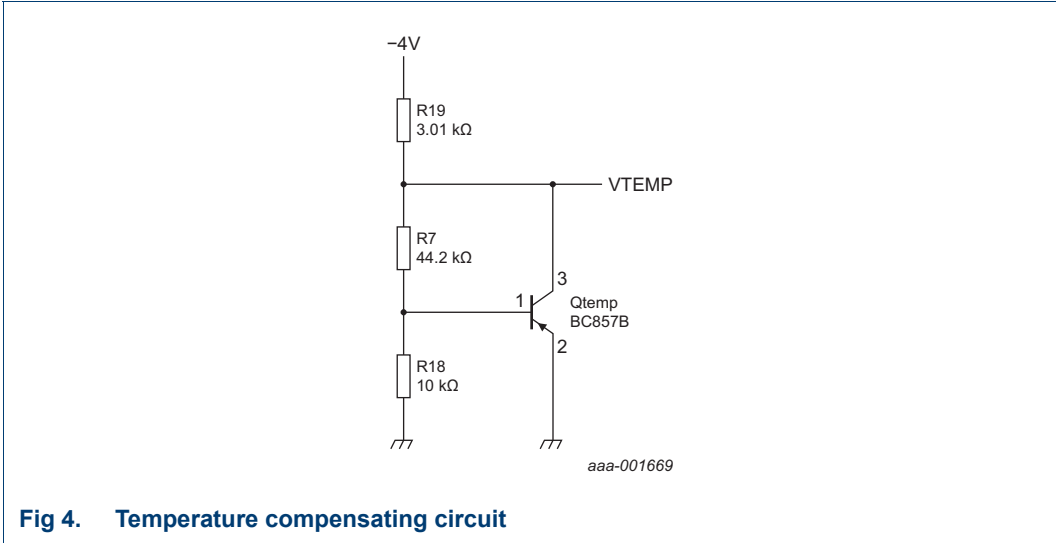
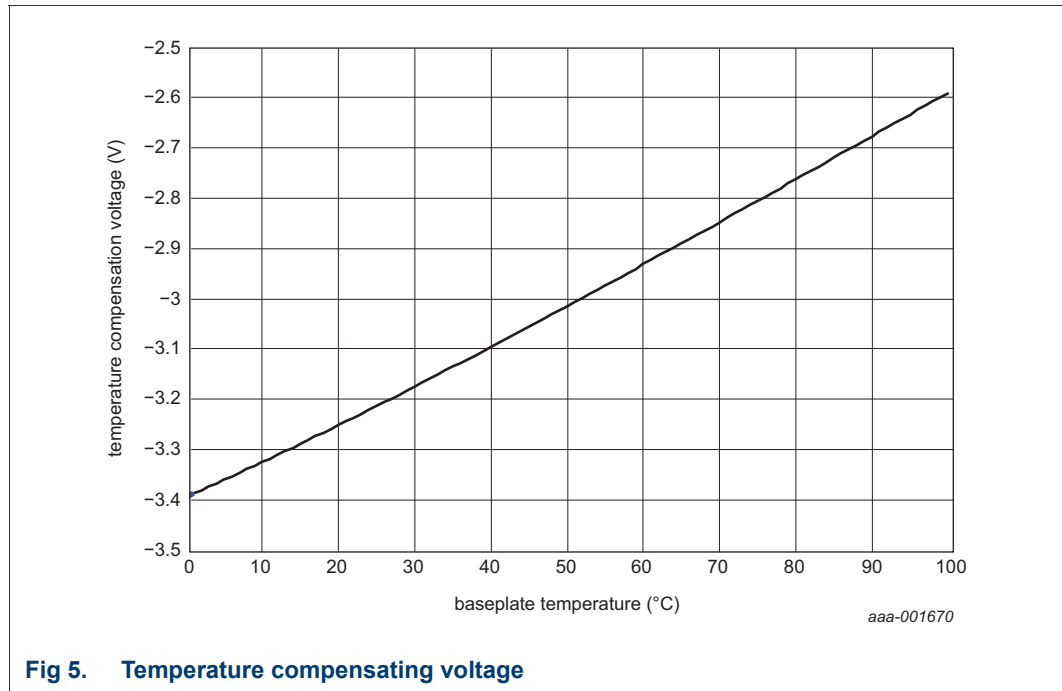


Fig 4. Temperature compensating circuit



6.4 Gate voltage adjustment

A variable voltage derived from the -4 V supply is summed with the temperature monitor voltage to generate a temperature-compensated gate voltage. R13 and R14 are selected to set the desired gate voltage trim range, and R6 is selected to provide the desired amount of temperature compensation. [Figure 6](#) shows typical values for $V_{GS} = -1.6$ V.

U3 is a dual rail-to-rail high-current operational amplifier chosen because it is stable into any capacitive load. It can deliver more than 100 mA of output current to meet the positive gate current requirements of most GaN HEMTs.

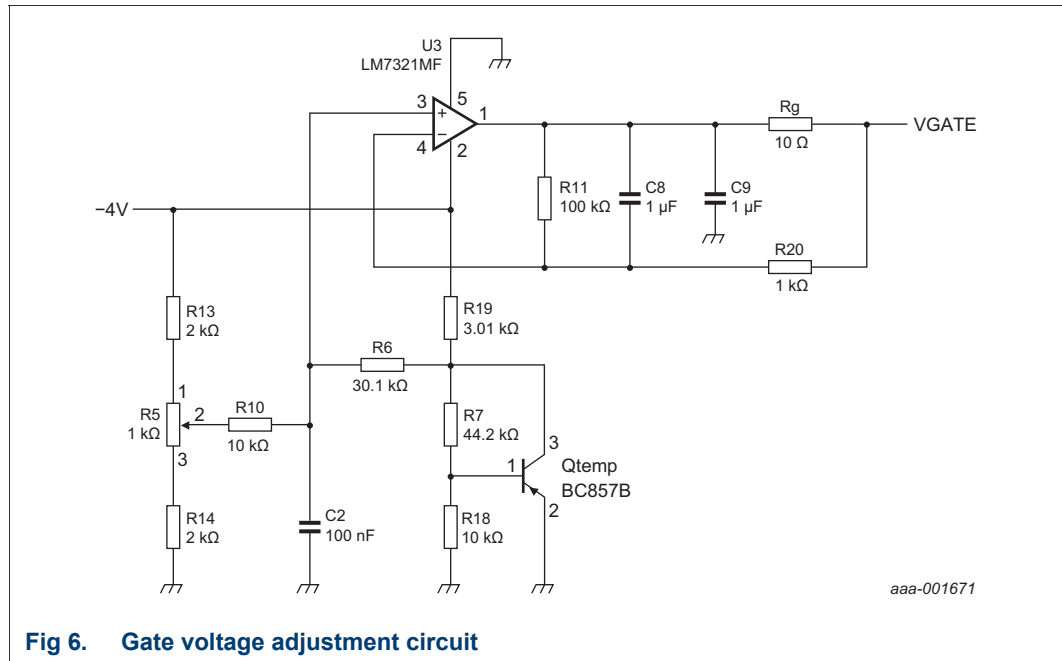


Fig 6. Gate voltage adjustment circuit

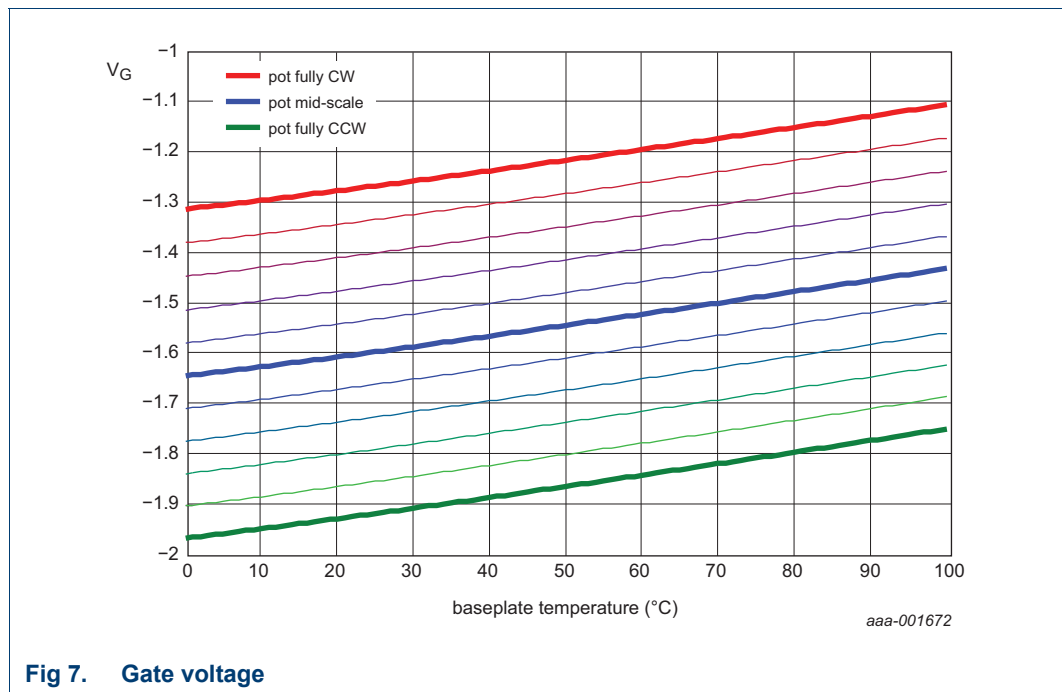


Fig 7. Gate voltage

The output impedance of the bias source is low (less than 1 Ω) because of the feedback around operational amplifier U3. However, HEMT applications usually require a series gate resistor of 5 Ω to 20 Ω, instead of a bias inductor, to ensure low-frequency device stability.

Because the GaN HEMT quiescent gate current can increase at high temperatures, a significant voltage drop can be developed across this gate resistor, increasing V_{GS} by 200 mV or more. This can be a serious problem because the increased gate voltage can push the HEMT operating point into a region of instability or even cause thermal runaway.

One solution is to provide DC feedback from the HEMT gate terminal to the operational amplifier inverting input, allowing it to compensate for voltage dropped across gate resistor R_g . Feedback through R20 compensates for voltage dropped across R_g . To minimize RF non-linearity and memory effects, make sure that $1 / (R_{20} \times C_8)$ is less than the lowest modulation frequency of the RF signal.

6.5 Resistor value selection

The resistor values in the schematic are for a 50 V device with a nominal V_{GS} of -2.1 V, $+2$ mV/°C V_{GS} temperature coefficient, and 11 A I_{DS} overcurrent sense. Other nominal operating conditions may require resistor value changes:

- R17 determines the supply voltage at which the drain is connected.
 $R_{17} = R_3 (V_D / 4 - 1)$, so $V_D = 31$ V with the 68.1 kΩ value in the design.
- R21 determines the supply voltage at which operating V_{GS} is applied.
 $R_{21} = R_{15} (V_D / 4.45 - 1)$, so $V_{D(good)} = 38$ V with the 75.0 kΩ value in the design.
- R_{sense} determines the foldback current limit. $I_{LIMIT} = 0.055 / R_{sense}$, so $I_{LIMIT} = 11$ A with the 5 mΩ value in the design.

6.6 Full schematic

The complete schematic of the bias controller combines the preceding subcircuits with ‘glue circuitry’ and several (possibly optional) additional convenience features.

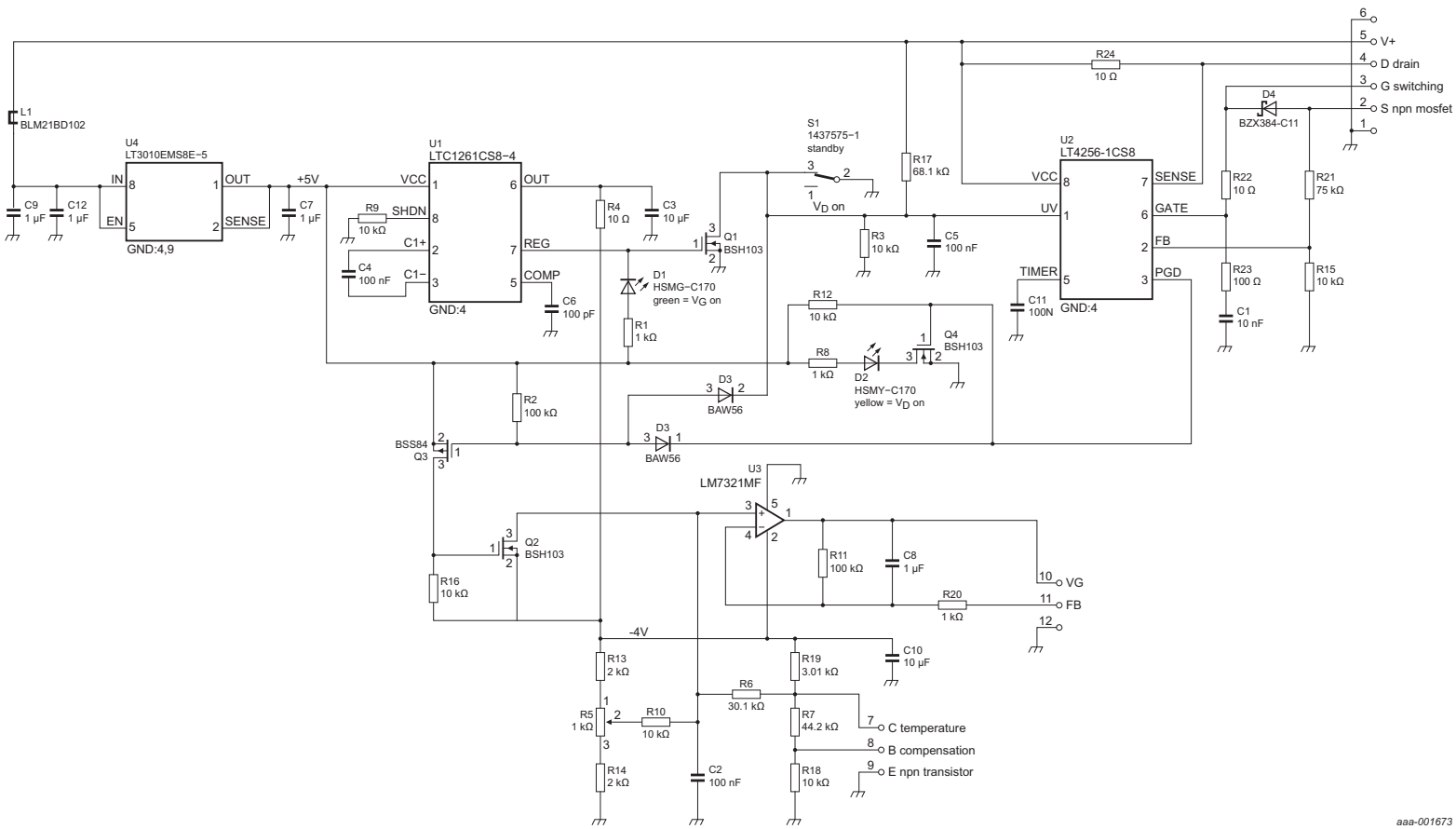
- LEDs D1 and D2 provide visual indication of valid gate and drain voltages.
- Switch S1 allows the GaN amplifier to be placed easily in ‘standby’, where the nominal gate voltages are applied, but drain power is disconnected.
- When S1 is set to ‘Vd on’ and the drain supply is not fully on (ramping up or down), diode D3 and MOSFET Q3 turn on MOSFET Q2, pulling the gate voltage down to -4 V.

Table 2. Bias module bill of materials

Component	Description	Value	Remarks
C9, C12	capacitor, 100 V 10 % X7R, 1206	1 μF	
C7, C8	capacitor, 50 V 10 % X7R, 0805	1 μF	
C2, C4, C5, C11	capacitor, 50 V 10 % X7R, 0805	100 nF	
C6	capacitor, 50 V 5 % NP0, 0805	100 pF	
C3, C10	capacitor, 10 V 20 % X7R, 0805	10 μF	
C1	capacitor, 50 V 10 % X7R, 0805	10 nF	
D1	LED, green, 0805		
D2	LED, yellow, 0805		
D4	diode, Zener 11 V 300 mW		BZX385-C11
D3	dual diode, common-cathode		BAV74
L1	ferrite bead, 200 mA, 0805	1000 mH?	
Q1, Q2, Q4	transistor, N-ch MOS 30 V 0.8 A		BSH103
Q3	transistor, P-ch MOS 30 V 0.8 A		BSS84
R13, R14	resistor, 1 % 100 ppm CF, 0805	2.00 kΩ	
R5	potentiometer, 5t cermet	1 kΩ	

Table 2. Bias module bill of materials

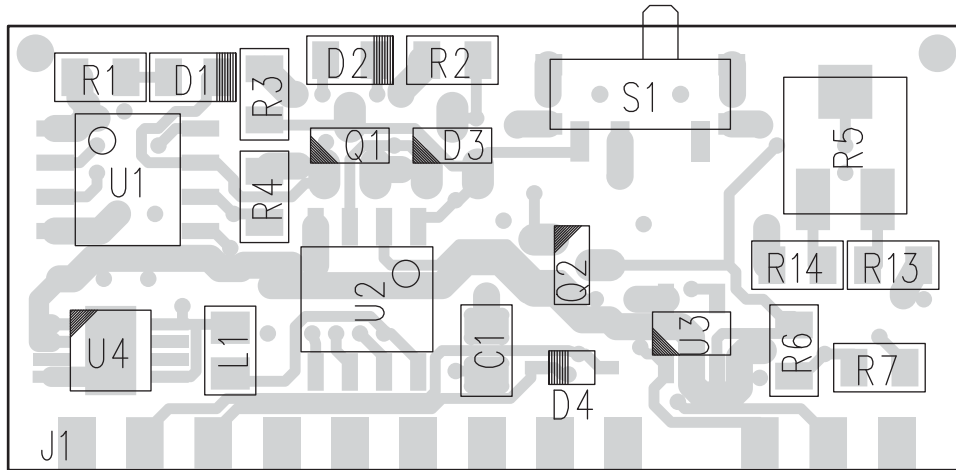
Component	Description	Value	Remarks
R19	resistor, 1 % 100 ppm CF, 0805	3.01 k Ω	
R7	resistor, 1 % 100 ppm CF, 0805	44.2 k Ω	
R3, R9, R10, R12, R15, R16, R18	resistor, 1 % 100 ppm CF, 0805	10.0 k Ω	
R6	resistor, 1 % 100 ppm CF, 0805	30.1 k Ω	
R4, R22, R24	resistor, 1 % 100 ppm CF, 0805	10.0 k Ω	
R1, R8, R20	resistor, 1 % 100 ppm CF, 0805	1.00 k Ω	
R17	resistor, 1 % 100 ppm CF, 0805	68.1 k Ω	
R23	resistor, 1 % 100 ppm CF, 0805	100 k Ω	
R2, R11	resistor, 1 % 100 ppm CF, 0805	100 k Ω	
R21	resistor, 1 % 100 ppm CF, 0805	75.0 k Ω	
S1	switch, SPDT right-angle SMD		Tyco 1437575-1
U4	voltage regulator, 5 V 100 mA		Linear LT3010EMS8E-5
U1	switching capacitor inverter		Linear LTC1261CS8-4
U2	hot swap controller		Linear LT4256-1CS8
U3	rail-rail opamp		National LM7321MF



aaa-001673

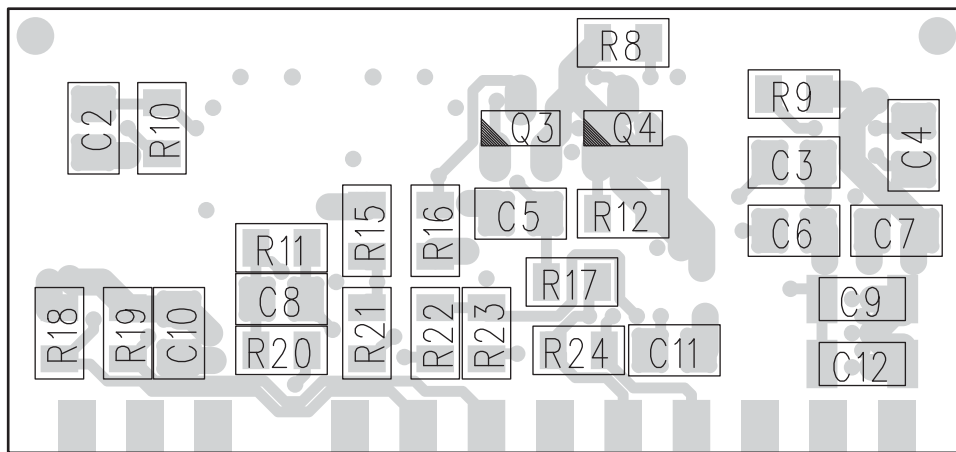
Fig 8. Bias module schematic

7. PCB layout



aaa-001674

Fig 9. PCB top-side layout



aaa-001675

Fig 10. PCB bottom-side layout

8. Abbreviations

Table 3. Abbreviations

Acronym	Description
LDMOS	Laterally Diffused Metal Oxide Semiconductor
MOSFET	Metal Oxide Semiconductor Field Effect Transistor

9. Legal information

9.1 Definitions

Draft — The document is a draft version only. The content is still under internal review and subject to formal approval, which may result in modifications or additions. Ampleon does not give any representations or warranties as to the accuracy or completeness of information included herein and shall have no liability for the consequences of use of such information.

9.2 Disclaimers

Limited warranty and liability — Information in this document is believed to be accurate and reliable. However, Ampleon does not give any representations or warranties, expressed or implied, as to the accuracy or completeness of such information and shall have no liability for the consequences of use of such information. Ampleon takes no responsibility for the content in this document if provided by an information source outside of Ampleon.

In no event shall Ampleon be liable for any indirect, incidental, punitive, special or consequential damages (including - without limitation - lost profits, lost savings, business interruption, costs related to the removal or replacement of any products or rework charges) whether or not such damages are based on tort (including negligence), warranty, breach of contract or any other legal theory.

Notwithstanding any damages that customer might incur for any reason whatsoever, Ampleon's aggregate and cumulative liability towards customer for the products described herein shall be limited in accordance with the *Terms and conditions of commercial sale* of Ampleon.

Right to make changes — Ampleon reserves the right to make changes to information published in this document, including without limitation specifications and product descriptions, at any time and without notice. This document supersedes and replaces all information supplied prior to the publication hereof.

Suitability for use — Ampleon products are not designed, authorized or warranted to be suitable for use in life support, life-critical or safety-critical systems or equipment, nor in applications where failure or malfunction of an Ampleon product can reasonably be expected to result in personal injury, death or severe property or environmental damage. Ampleon and its suppliers accept no liability for inclusion and/or use of Ampleon products in such equipment or applications and therefore such inclusion and/or use is at the customer's own risk.

Applications — Applications that are described herein for any of these products are for illustrative purposes only. Ampleon makes no representation or warranty that such applications will be suitable for the specified use without further testing or modification.

Customers are responsible for the design and operation of their applications and products using Ampleon products, and Ampleon accepts no liability for any assistance with applications or customer product design. It is customer's sole responsibility to determine whether the Ampleon product is suitable and fit for the customer's applications and products planned, as well as for the planned application and use of customer's third party customer(s). Customers should provide appropriate design and operating safeguards to minimize the risks associated with their applications and products.

Ampleon does not accept any liability related to any default, damage, costs or problem which is based on any weakness or default in the customer's applications or products, or the application or use by customer's third party customer(s). Customer is responsible for doing all necessary testing for the customer's applications and products using Ampleon products in order to avoid a default of the applications and the products or of the application or use by customer's third party customer(s). Ampleon does not accept any liability in this respect.

Export control — This document as well as the item(s) described herein may be subject to export control regulations. Export might require a prior authorization from competent authorities.

Evaluation products — This product is provided on an "as is" and "with all faults" basis for evaluation purposes only. Ampleon, its affiliates and their suppliers expressly disclaim all warranties, whether express, implied or statutory, including but not limited to the implied warranties of non-infringement, merchantability and fitness for a particular purpose. The entire risk as to the quality, or arising out of the use or performance, of this product remains with customer.

In no event shall Ampleon, its affiliates or their suppliers be liable to customer for any special, indirect, consequential, punitive or incidental damages (including without limitation damages for loss of business, business interruption, loss of use, loss of data or information, and the like) arising out of the use of or inability to use the product, whether or not based on tort (including negligence), strict liability, breach of contract, breach of warranty or any other theory, even if advised of the possibility of such damages.

Notwithstanding any damages that customer might incur for any reason whatsoever (including without limitation, all damages referenced above and all direct or general damages), the entire liability of Ampleon, its affiliates and their suppliers and customer's exclusive remedy for all of the foregoing shall be limited to actual damages incurred by customer based on reasonable reliance up to the greater of the amount actually paid by customer for the product or five dollars (US\$5.00). The foregoing limitations, exclusions and disclaimers shall apply to the maximum extent permitted by applicable law, even if any remedy fails of its essential purpose.

9.3 Trademarks

Notice: All referenced brands, product names, service names and trademarks are the property of their respective owners.

Any reference or use of any 'NXP' trademark in this document or in or on the surface of Ampleon products does not result in any claim, liability or entitlement vis-à-vis the owner of this trademark. Ampleon is no longer part of the NXP group of companies and any reference to or use of the 'NXP' trademarks will be replaced by reference to or use of Ampleon's own Any reference or use of any 'NXP' trademark in this document or in or on the surface of Ampleon products does not result in any claim, liability or entitlement vis-à-vis the owner of this trademark. Ampleon is no longer part of the NXP group of companies and any reference to or use of the 'NXP' trademarks will be replaced by reference to or use of Ampleon's own trademarks.

10. Contents

1 Introduction 3

2 Bias sequencing 3

3 Gate current 4

4 Temperature compensation 4

5 Summary 4

6 Circuit description 5

6.1 Negative voltage generation 5

6.2 Drain voltage switching 5

6.3 Temperature compensation 6

6.4 Gate voltage adjustment 7

6.5 Resistor value selection 9

6.6 Full schematic 9

7 PCB layout 12

8 Abbreviations 12

9 Legal information 13

9.1 Definitions 13

9.2 Disclaimers 13

9.3 Trademarks 13

10 Contents 14

Please be aware that important notices concerning this document and the product(s) described herein, have been included in section 'Legal information'.

© Ampleon The Netherlands B.V. 2015. All rights reserved.

For more information, please visit: <http://www.ampleon.com>
 For sales office addresses, please visit: <http://www.ampleon.com/sales>

Date of release: 1 September 2015
 Document identifier: AN11130#2